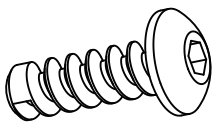
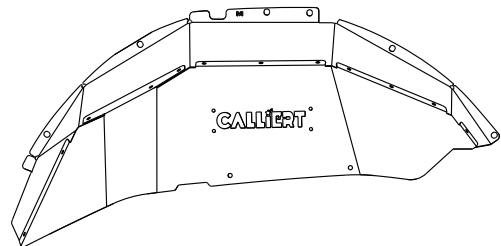
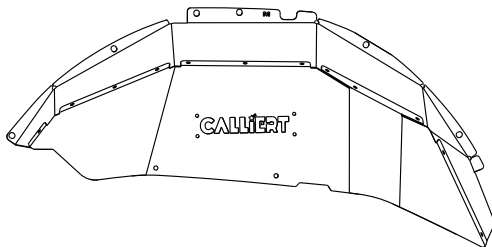
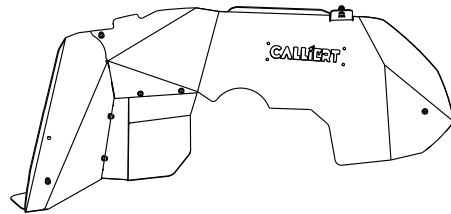
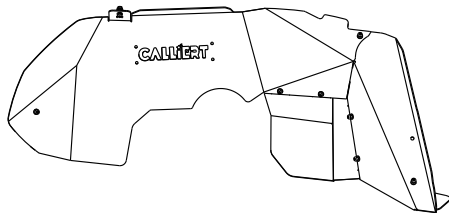


Operator's Manual

Save This Manual Keep this manual and read through the entire instructions before proceeding with installation. The product parts in this instruction may differ slightly from the actual product contents but generally does not affect the installation of the product. If you are not confident with your mechanical skills, please ask for the help of a professional to install this accessory.

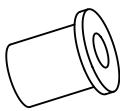
CALLIERT

JEEP WRANGLER (JL) INNER FENDER LINERS



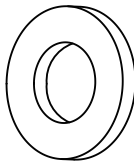
x64

M6X20 Allen Head Bolt



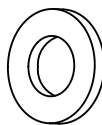
x2

M6 Rivet Nut



x10

M6 Flat Washer



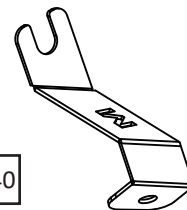
x50

6x14 Flat Washer



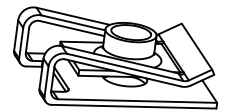
x40

M6 Lock Washer



x2

Clip



x18

Clip

Visit our website at: <https://www.aotowo4x4.com>

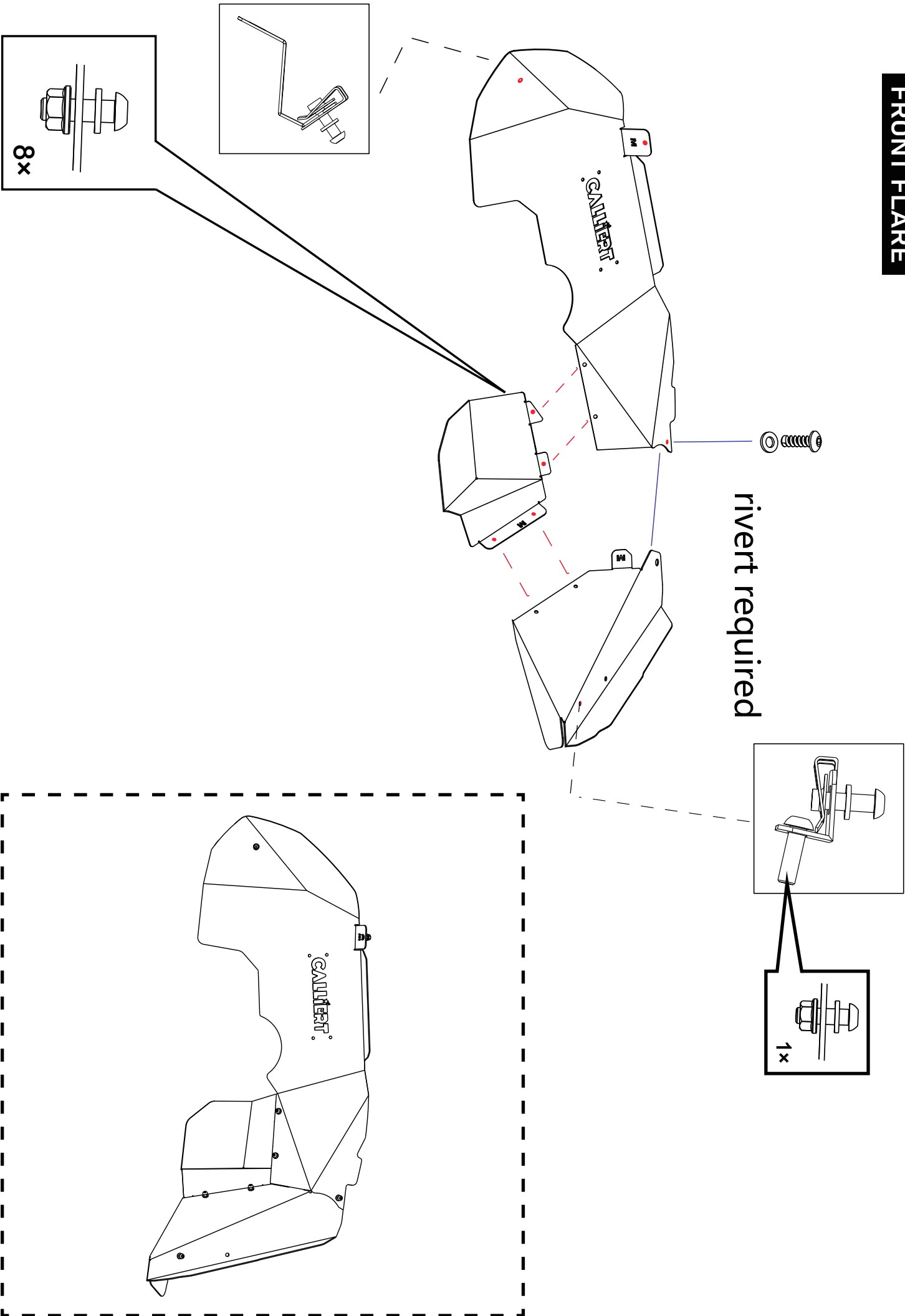
⚠ WARNING

Read the instructions all the way through before installing the INNER FENDER LINERS.

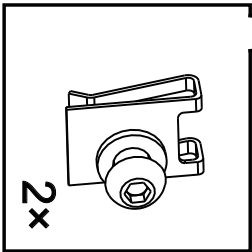
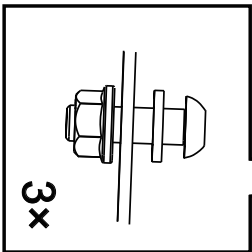
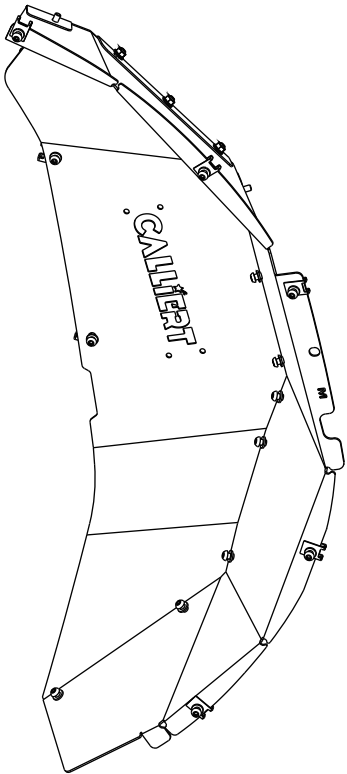
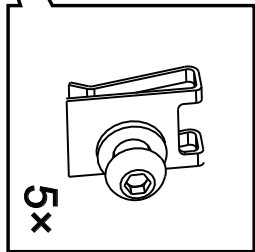
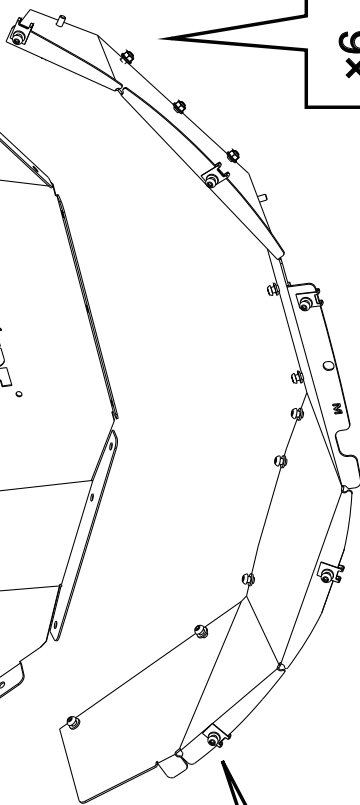
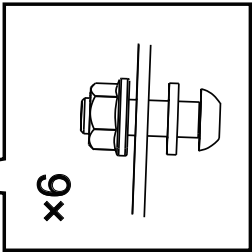
When unpacking, make sure that the product is intact and undamaged. If any parts are missing or broken, please contact us: www.aotowo4x4.com.

No portion of this manual or any artwork contained here in may be reproduced in any shape or form without the express written consent. Diagrams within this manual may not be drawn proportionally. Due to continuing improvements, actual product may differ slightly from the product described herein. Tools required for assembly and service may not be included.

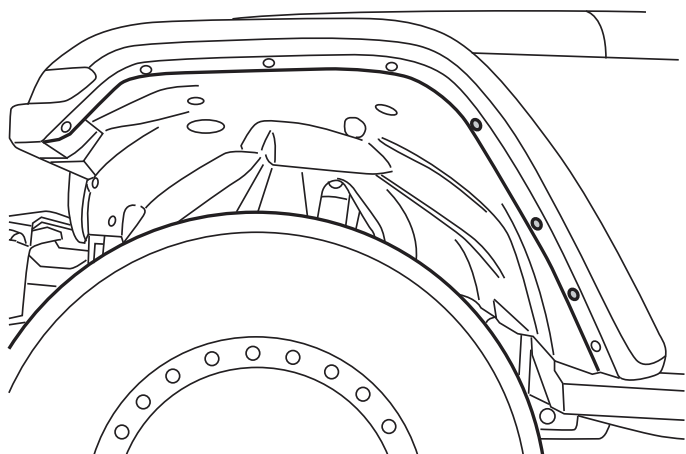
FRONT FLARE



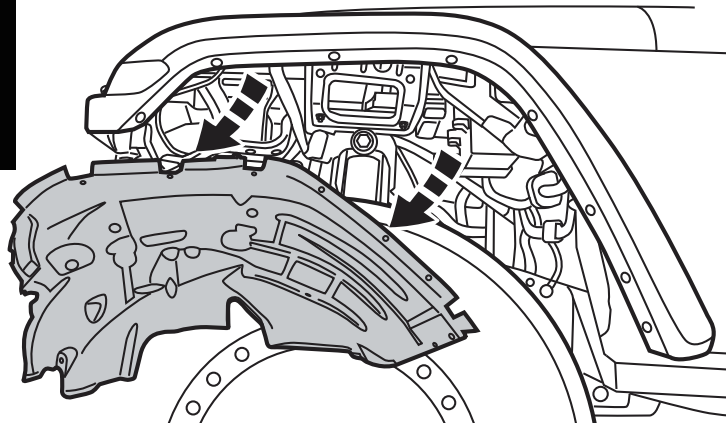
REAR FLARE



STEP 1

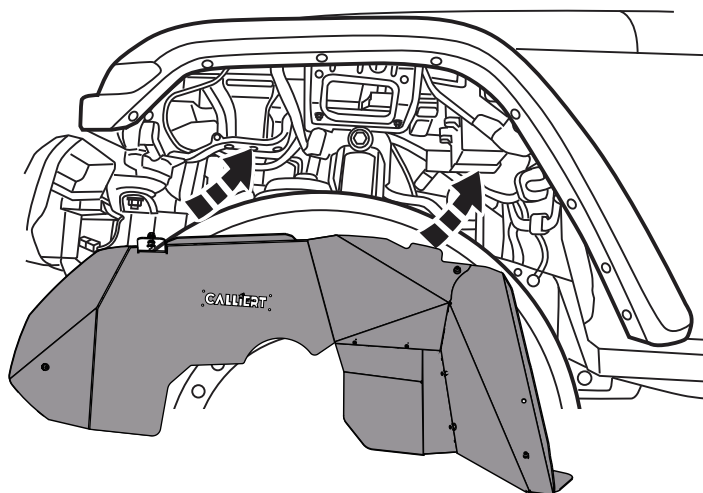
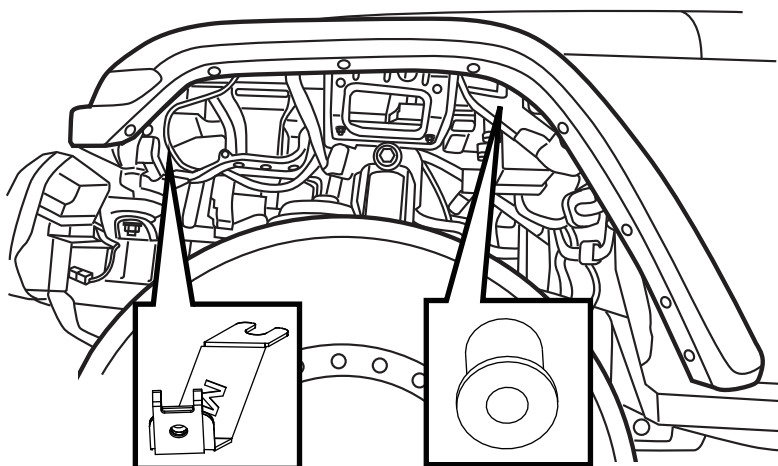


REAR FLARE

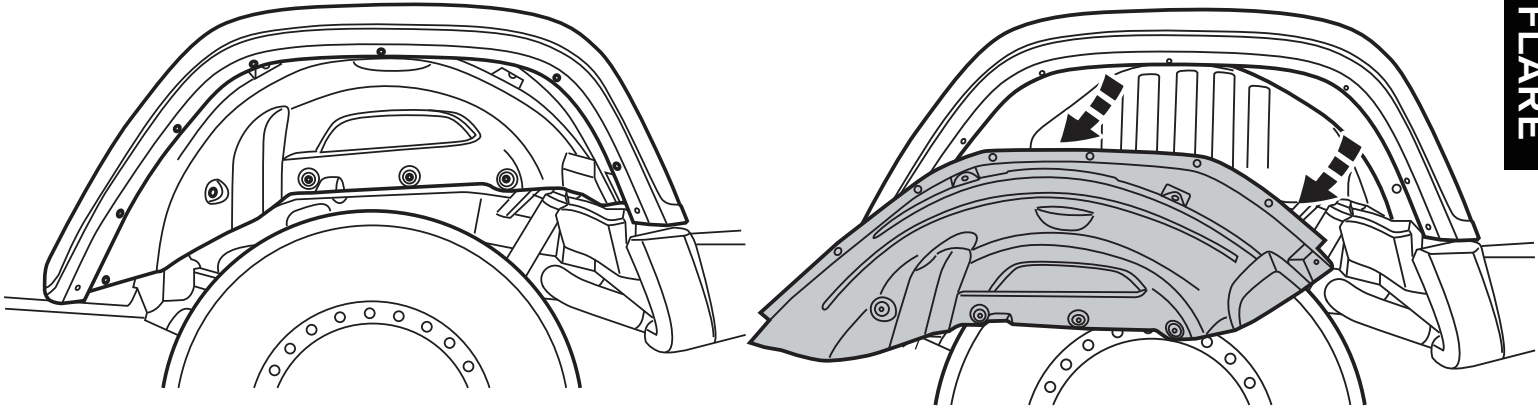


FRONT FLARE

STEP 2



STEP 5



STEP 6

