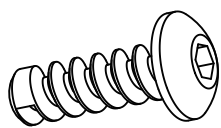
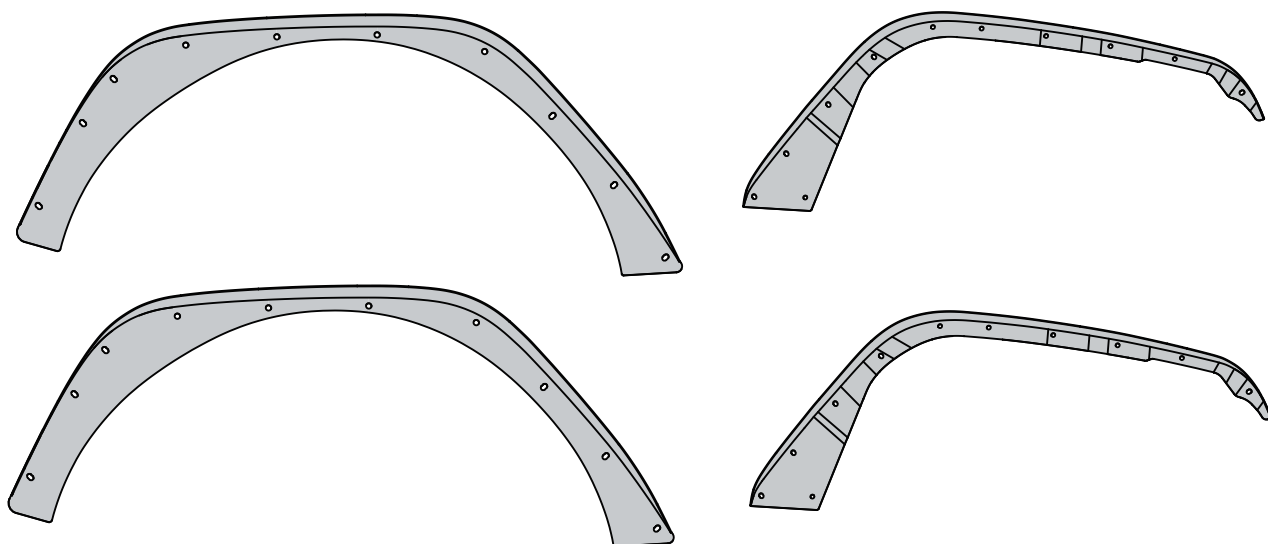


Operator's Manual

Save This Manual Keep this manual and read through the entire instructions before proceeding with installation. The product parts in this instruction may differ slightly from the actual product contents but generally does not affect the installation of the product. If you are not confident with your mechanical skills, please ask for the help of a professional to install this accessory.

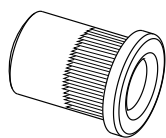
CALLIERT

JEEP WRANGLER (JL) FENDER FLARES



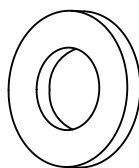
x42

M6X20 Allen Head Bolt



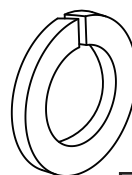
x42

M6 Rivet Nut



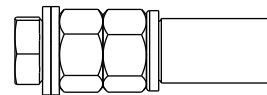
x42

M6x12 Flat Washer



x42

M6 Lock Washer



x1

Rivet Tool

Visit our website at: <https://www.aotowo4x4.com>

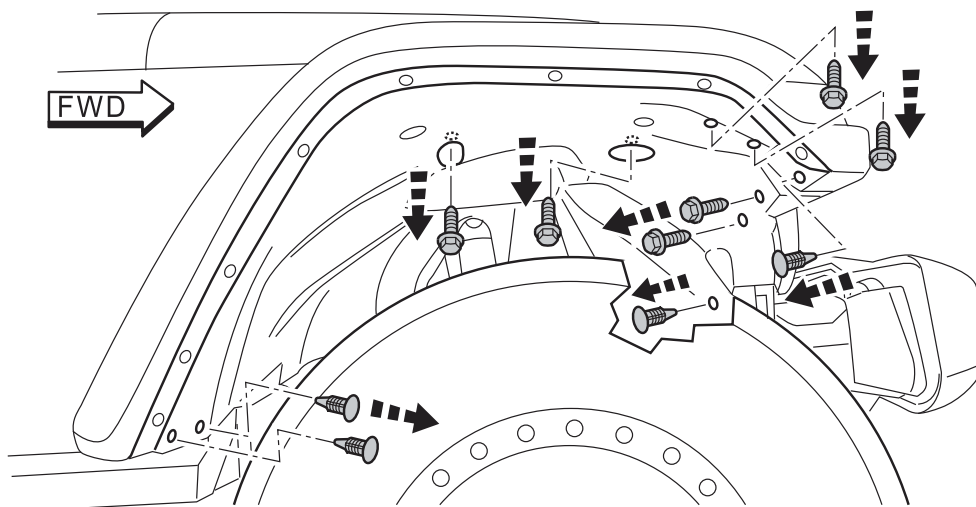
⚠ WARNING

Read the instructions all the way through before installing the fender flares.

When unpacking, make sure that the product is intact and undamaged. If any parts are missing or broken, please contact us: www.aotowo4x4.com.

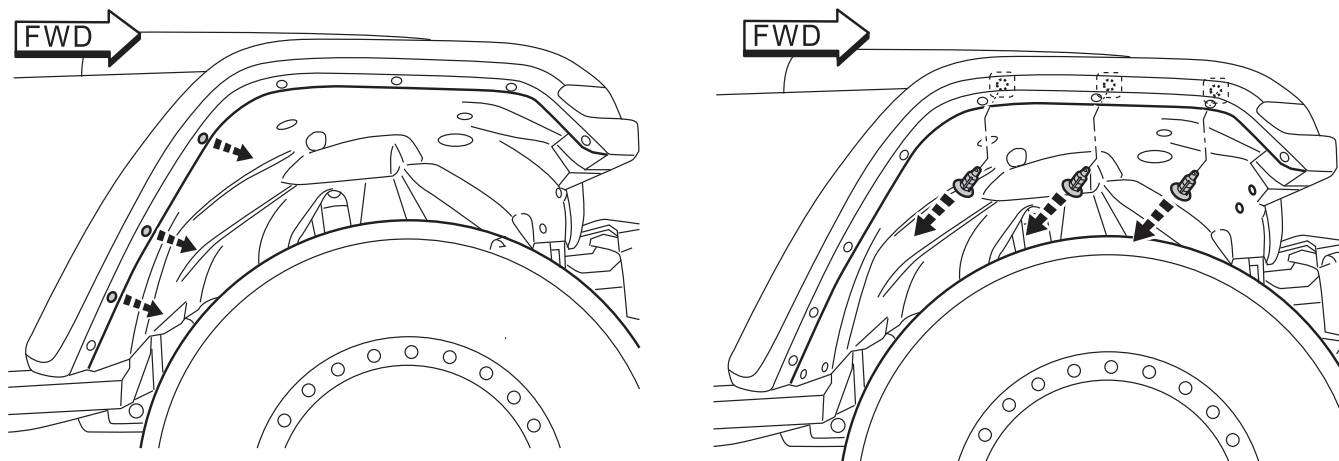
No portion of this manual or any artwork contained here in may be reproduced in any shape or form without the express written consent. Diagrams within this manual may not be drawn proportionally. Due to continuing improvements, actual product may differ slightly from the product described herein. Tools required for assembly and service may not be included.

STEP 1



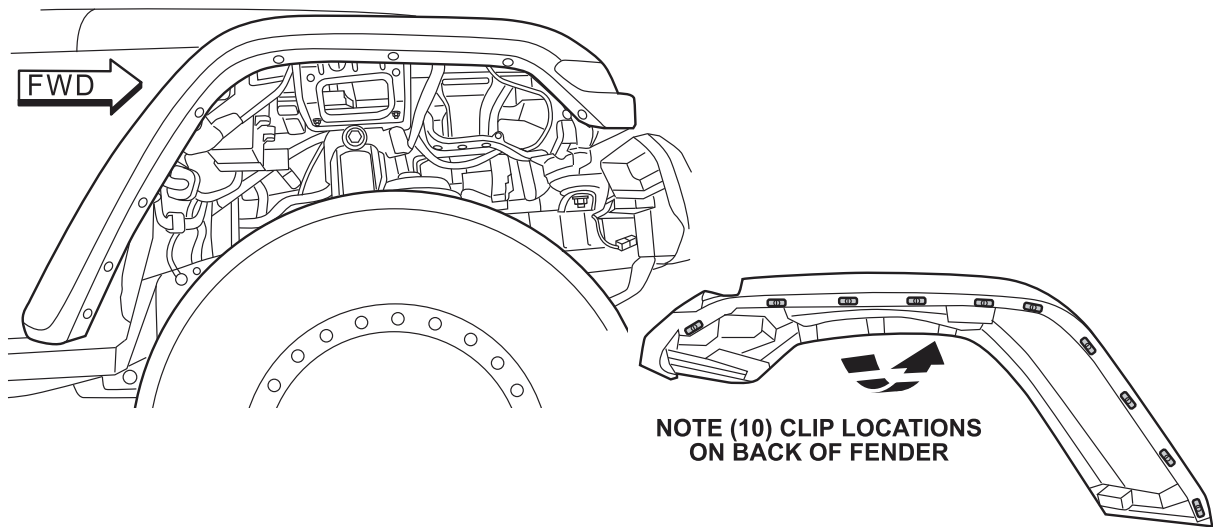
1. Remove the 6 Hex Bolts from the front inner fender liner.
2. Pry up and drill out the 4 rivets from the inner fender liner.

STEP 2



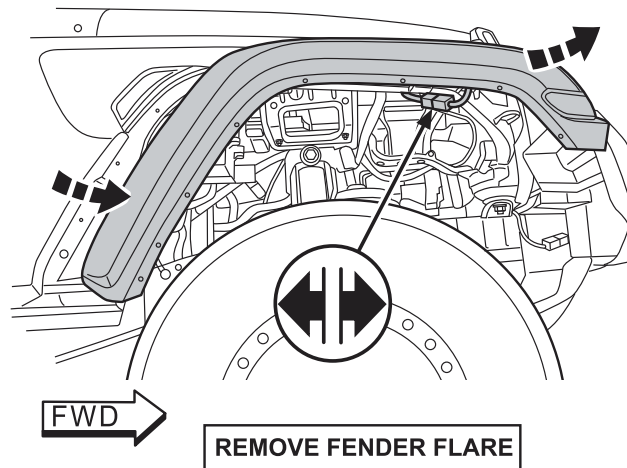
3. Use the panel tool to remove the first push fastener from the front of inner fender liner.
4. Pry up and drill out the 3 rivets from the inner fender liner.

STEP 3



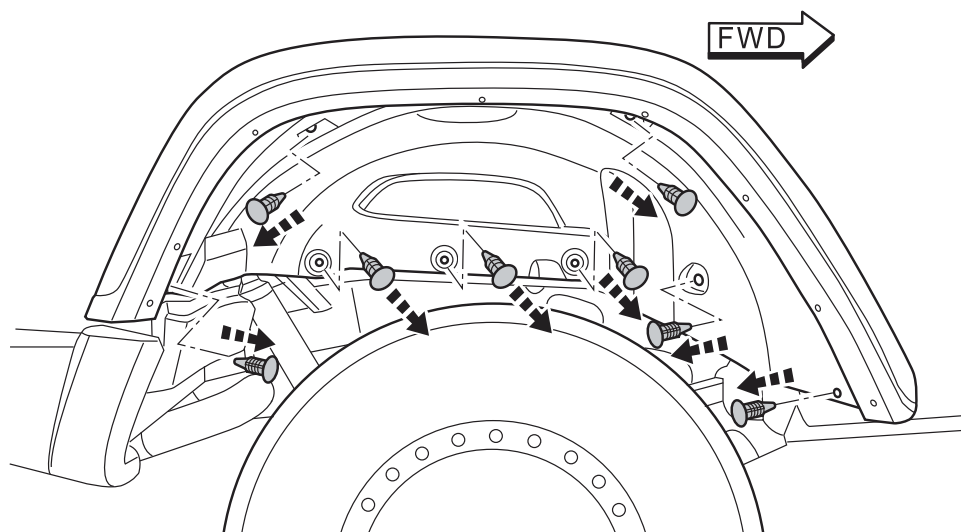
5. Grab the inner liner fender and simply pull it out.
6. Press in on clips to release and disconnect the wire harness.

STEP 4



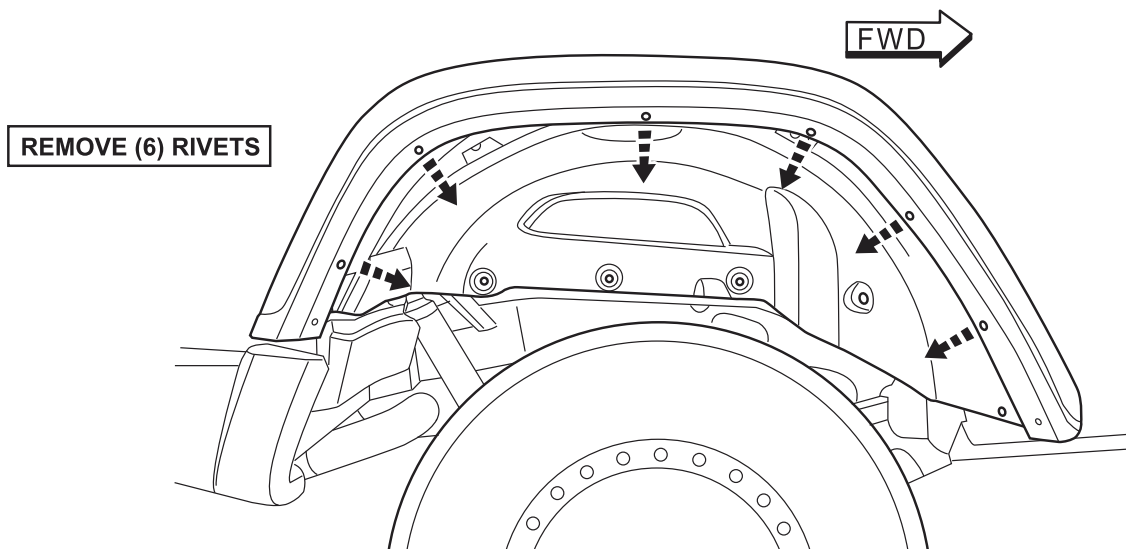
7. Grab ahold and starting at the front, remove the front fender flare.

STEP 5

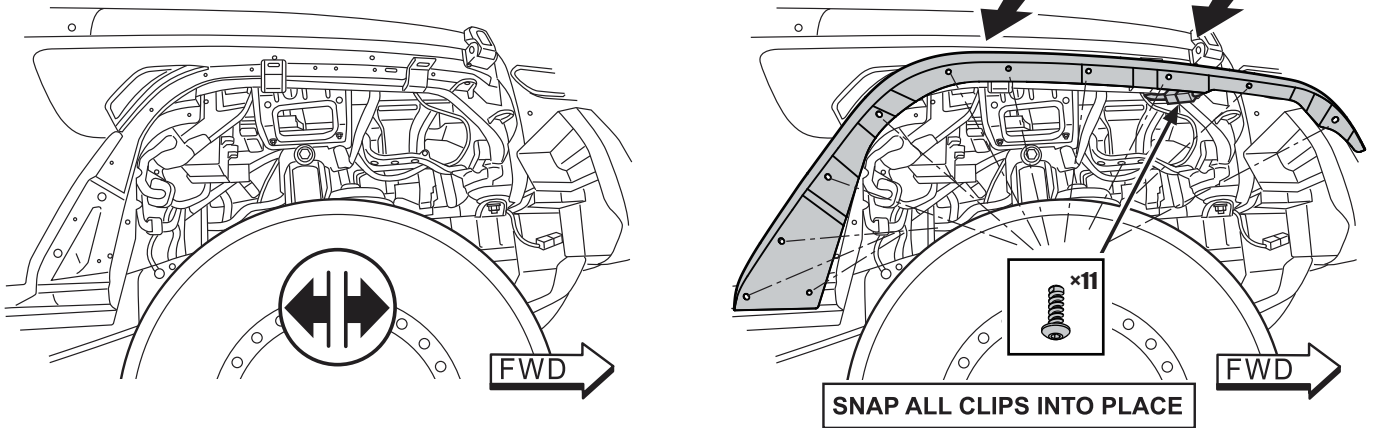


1. Remove the 8 Hex Bolts from the rear inner fender liner.

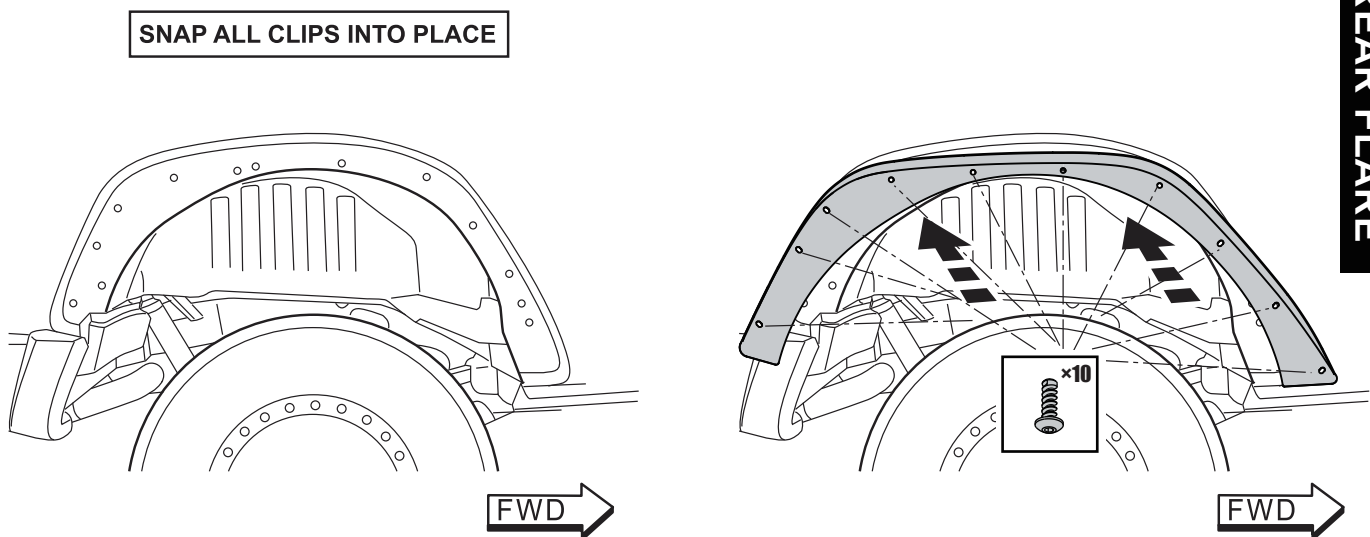
STEP 6



2. Remove the 6 rivets on factory rear fender flare.
3. Grab the inner liner fender and simply pull it out.
4. Grab ahold and remove the rear fender flare.

STEP 7

1. Snap all clips into place and put the fender onto the fender panel.
2. Insert the rivet nuts into the fender.
3. Use the washers to secure the fender flare to fender panel.

STEP 8

1. Snap all clips into place and put the fender onto the fender panel.
2. Insert the rivet nuts into the fender.
3. Use the washers to secure the fender flare to fender panel.